

Length transducer, 022739

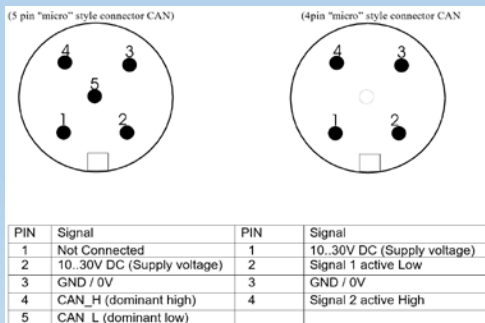
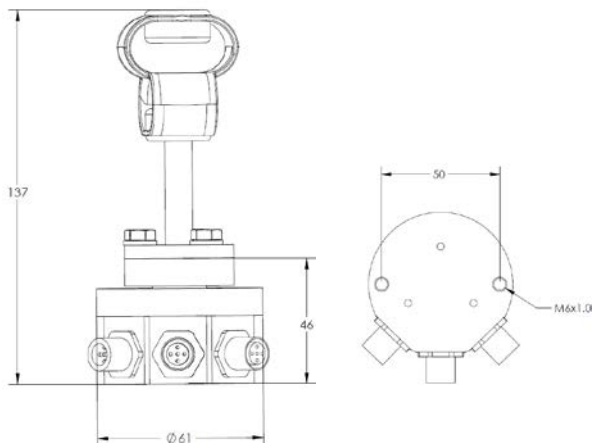


The length transducer measures length coming from a rotating movement.

The transducer connects through a flexible coupling to the driveshaft of the motor for the movement of the cradle.

Normally used as a length sensor, measuring the drilled depth on drilling rigs.

The transducer has 2 connectors for the CAN-Open communication including power supply and one connector with 2 digital inputs.



Technical data

Supply voltage
Power supply

10 – 30 VDC
<100mA

Digital inputs
Type

2
Signal 1: Active high/
Signal 2: Active low

Bus Connection
Nod ID

CANOpen (ISO11896)
Default 1

Housing
Mounting

Steel housing, zinc plated
2 * M6 screws

Shaft diameter

10mm, cut to length

Connections
CAN-bus

Standard M12 A-code plug,
5 pin Male/Female
Standard M12 A-code plug,
4 pin Male

Digital Input

Operating temp.
Protection

-40 - +70°C
IP67