

Length transducer, 022737

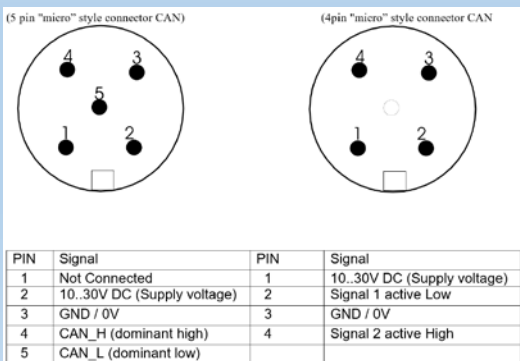
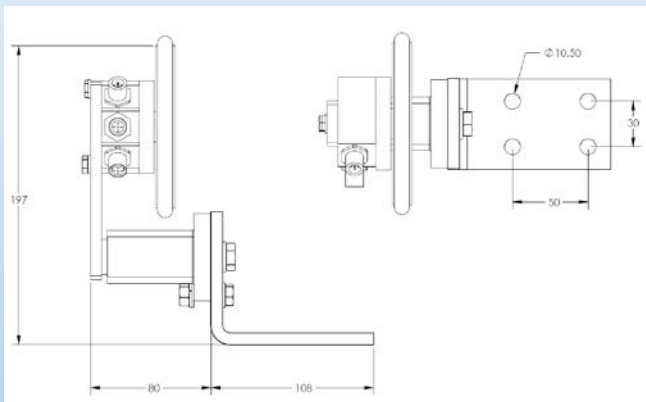


The length transducer measures length of movement through the rotation of its friction wheel, Laying against a rotating pulley wheel or a linear movement.

Often used to measure length on piling rigs.

Keeps the friction against the measured surface via a spring loaded mounting bracket.

The transducer has 2 connectors for the CAN-Open communication including power supply and one connector with 2 digital inputs.



Technical data

Supply voltage 10 – 30 VDC
Power supply <100mA

Digital inputs 2
Type Signal 1: Active high/
Signal 2: Active low

Bus Connection CANOpen (ISO11896)
Nod ID Default 1

Housing Steel housing, zinc plated
Mounting 2 * M6 screws

Connections
CAN-bus Standard M12 A-code plug,
5 pin Male/Female
Digital Input Standard M12 A-code plug,
4 pin Male

Operating temp. -40 - +70°C
Protection IP67