



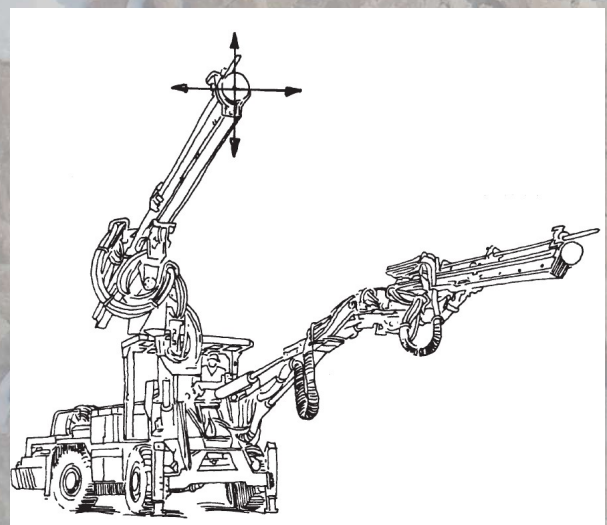
**TRANSTRONIC®**

# INKLINATOR® CMI Tunnel



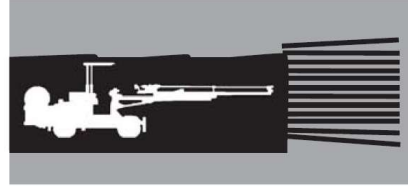
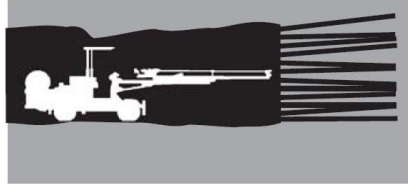
**Total instrument system for  
tunnel drilling rigs.**

**The system measures and  
presents the side and inclination  
(dip) angles of the feeder in each  
vertical plane.**



**TRANSTRONIC®**

Do you make a tunnel like this ?... Or do you use angle instruments ?



Inklinator CMI Tunneling, is built in the latest CAN Open technology. This makes the system very easy to mount, calibrate and zero set. All sensors and cables are manufactured to survive the harsh environment on a drill rig under ground.

CMI Tunneling consists of:

- Master Unit
- Vertical angle transducer with rollover function
- Two boom joint transducers
- Heavy duty enclosures for protection
- Cables in hydraulic hoses for protection



An angle transducer with rollover compensation measures the vertical angle and two boom joint transducers measure the horizontal angle.

The vertical angle and the sum of the two boom joints are shown direct as values on the display.

The system is equipped with a diagnostic program which makes it possible to check the transducers and cables from the master without any tools or instruments.

### Specification:

Measurement range std.	vertical angle	+/- 50 deg
	horizontal angle	+/- 180 deg
Accuracy, all transducers better than,	0,25 deg	
Hole length measurement range,	0 – 99,9 m	
Hole length measurement accuracy,	+/- 1%, minimum 0,05 m	
Penetration rate measurement range,	0 – 9,99 m/min	
Power supply,	10 – 30 VDC, 0,3 A	
Enclosure,	IP65, Splash proof	
Working temperature,	-20 - +50 deg Celcius	

