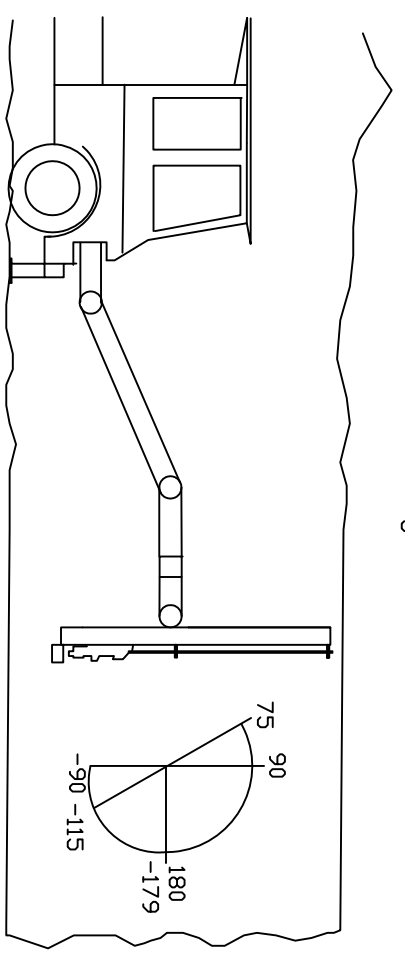


Seen from rear of rig
At horizontal ± 10 Deg
The inclination angle is measured in the horizontal plane Forward/backward
Forward + Backward -



Konstr MB	Ritrad MB	mat.	Ytbehandling	Skala
TRANSTRONIC AB		CMI Prod Boom MP2 (102)		Datum 2014-02-25
Köping/Sweden				09042231C